

## SINGLE or MULTIPLE Additive Injection

Model 1000  
(100-1100 GPM)

# model 1000

## Terminal and Pipeline Additive Injection

Injects up to 4 additives at different  
injection ratios **SIMULTANEOUSLY**

# Fluid power

Flow of the Fuel powers the Injector.  
**NO OUTSIDE POWER SOURCE NECESSARY**

The flow of fuel provides all the power needed to run the **Model 1000** from Hammonds. No outside power source is necessary to run any of the Hammonds Fluid-Power units.

The **Model 1000** is simply a larger version of our very popular series 600 and 800. It meets the requirements of delivery terminals and high-volume delivery vehicles (**100 to 1100 gallons per minute**). The **Model 1000** offers precise and accurate blending every time.

The **Model 1000** is a completely self-contained unit that offers totally unassisted injection. Product meters and pulsers are not required allowing a simple and economical installation that provides the customer with guaranteed precision blending of additive every time.

- Even and accurate blending
- No power or meter required
- Handles injection point pressure to 300 psi
- Can inject up to (4) additives at different injection ratios simultaneously
- 6" 150# RF connection standard
- 100-1100 GPM

## PROPORTION to FLOW Additive Blending

As with all Hammonds Fluid-Power Injectors and Injection Systems, the flow of the fuel is the only power source that is necessary. No outside source is required. Because the injector is powered by the flow of fuel, a constant and accurate additive to fuel ratio is maintained. Faster fuel flow results in more additive being injected, and conversely, slower flow results in less additive being injected. This ensures that the correct injection to fuel rate remains in place throughout the process. In addition, the flow of fuel provides a blending of fuel to additive that is always even, accurate and thorough. Additive is never injected by "slugs" or "pulses" like some systems.

**Hammonds**<sup>®</sup>

Fluidpower

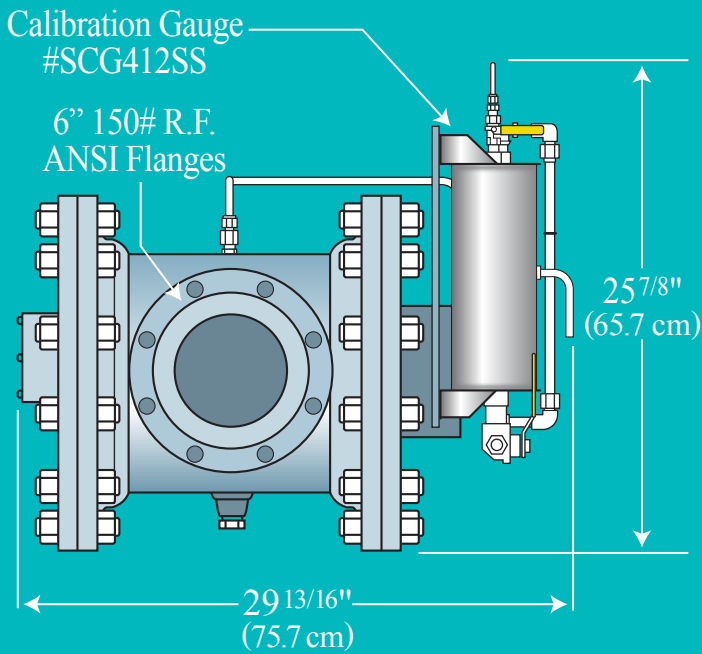
## 3-YEAR WARRANTY

Ask a Hammonds' Rep about our Extendable 3-Year warranty

INNOVATION—pure and simple

**Hammonds**<sup>®</sup>

6807 West Little York Road • Houston, Texas 77040 • (800) 582-4224



The Model 1000 is designed to handle the high gallons per minute flow rates associated with bulk fuel receipt.

# model 1000

## Terminal and Pipeline Additive Injection

Precision Additive Blending at high GPM flow rates...

**Fluid power**

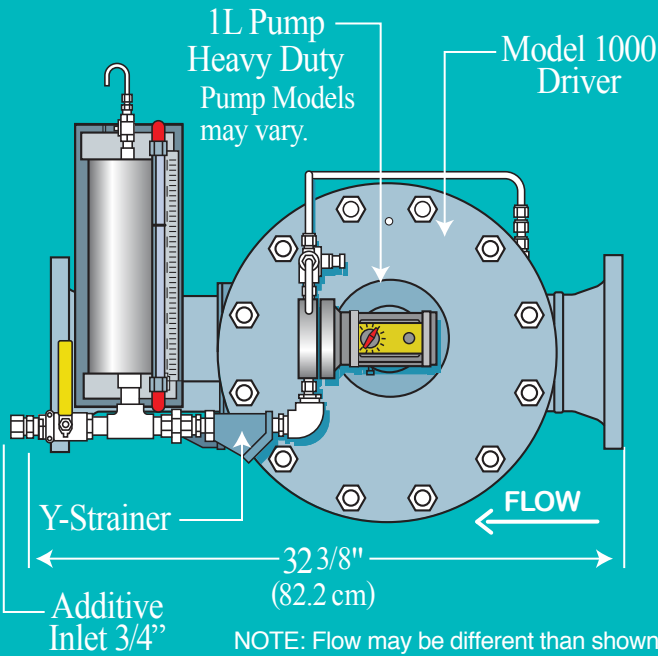
Flow of the Fuel powers the Injector.  
NO OUTSIDE POWER SOURCE NECESSARY

## SPECIFICATIONS

- Flooded suction required
- Number of additives: 1 standard, up to 4 optional
- 6" (15.2 cm), 150# RF flanges standard (other connections available, consult factory for details)
- Injection ratios: 0-3,000 PPM depending upon application
- 100-1100 GPM (378.5-4, 164 l) continuous operation
- Product temperature range: -40° - +250°F (-4.4° - +121,1°C)
- Maximum product line pressure: 150 PSI
- Product viscosities: to 10,000 SSU
- Fuels, oils, additives and liquid gases
- Duty cycle: intermittent

## CONSTRUCTION MATERIALS

- Carbon steel housing
- Metering pump: All wetted parts 300 series stainless steel
- Elastomers: Aflas®, Viton® and Teflon®
- Mechanical Seal: Carbon on ceramic
- Upgrades to Hammonds "Smart" System



### -MODEL 1000 STATS-

Model	Product Flow Range BPH / GPM	PPM Injection Range	Product Piping Size
1000	140-1570, 129 BPH / 100-1,100 GPM	<1 - 4,000 PPM	4" - 8"

